

AB
ASHLEY BLAIRE CO.




Clifton
1172-1ES



Safety Information: Before beginning assembly, read all instructions carefully

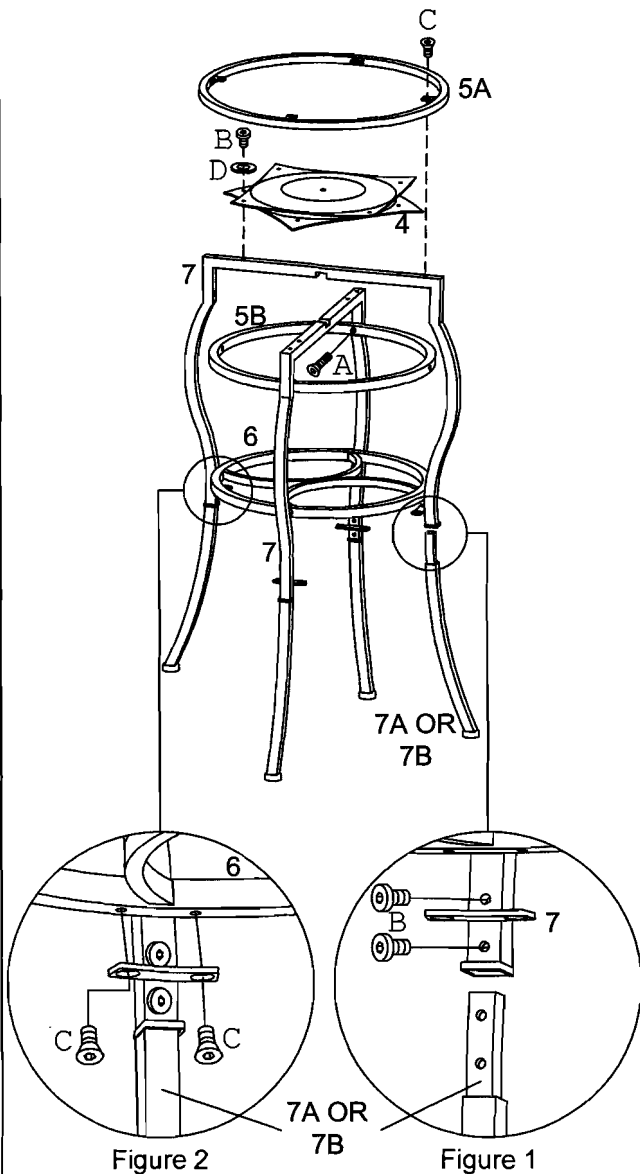
- ★ Please follow all directions thoroughly.
- ★ Do not leave out any steps.
- ★ Review the parts list carefully, if parts are incorrect or missing, please contact parts@ashleyblairecompany.com.
- ★ Please ensure that all connections and fasteners are correctly installed and maintained.
- ★ Please tighten all connections periodically.
- ★ For future reference, do not discard instructions.

Ashley Blaire Company Inc. assumes absolutely no responsibility or liability for damages, injuries, or loss due to the misuse of the product, failure to properly assemble the product, or properly maintain and service the product.

Please Verify The Contents Of The Hardware Pack

| NO | QTY | DRAWING | DESCRIPTION |
|----|-----|---|-----------------------|
| A | 6 |  | 1/4"x 1" Allen Bolt |
| B | 16 |  | 1/4"x 1/2" Allen Bolt |
| C | 12 |  | 1/4"x 1/2" Allen Bolt |

| NO | QTY | DRAWING | DESCRIPTION |
|----|-----|---|------------------|
| D | 8 |  | 1/4" Flat Washer |
| E | 1 |  | 4mm Allen Wrench |



Step 1. Insert four Extension Legs (7A or 7B) into the legs 7 as shown (If you want a counter stool use 7A, for bar stool height use 7B). Attach the extension legs by inserting (8) allen bolts B into each hole. See Figure 1. Tighten all (8) bolts B at this time.

Step 2. Attach both Leg Assemblies 7 by crossing them between each other and attach Inner Ring 5B to inside of each leg by using (4) Allen Bolt A. Only hand tighten bolts for this step.

Step 3. Attach the stretcher 6 to the legs 7 by inserting (8) "pan head" allen bolts C. See Figure 2. Hand tighten bolts for this step.

Step 4. Attach the swivel 4 to the Leg Assembly 7 by inserting (4) allen bolts B and (4) washers D into each hole. Hand tighten bolts for this step.

Step 5. Attach Seat Base/Support Ring 5A to the Leg Assembly 7 by inserting (4) "pan head" allen bolts C into each hole.

Step 6. Please tighten all bolts from all steps at this time.

Step 7. Insert the back Assembly 1 into the Seat Assembly 3 and fasten it by inserting (2) "pan head" allen bolts A into each hole.

Step 8. Attach the completed bottom assembly to the top assembly by using (4) allen bolts B and (4) washers D through the swivel into the Seat Frame 3.

Step 9. Tighten all bolts using the Allen wrench E and turn your stool over in it's upright position.