



AB
ASHLEY BLAIRE CO.




BRAILLEN
1563-1ES

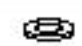

Safety Information: Before beginning assembly, read all instructions carefully

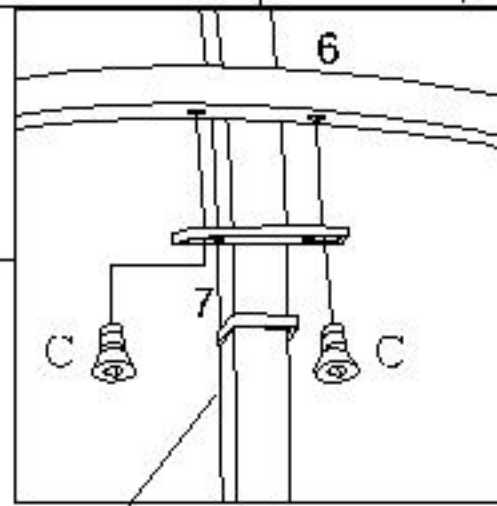
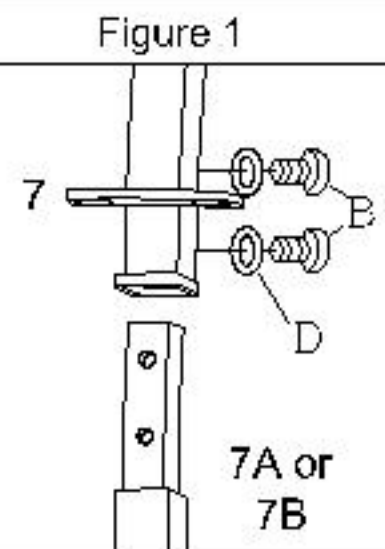
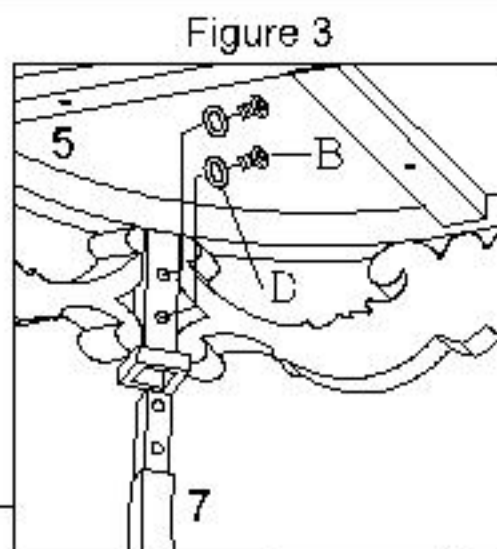
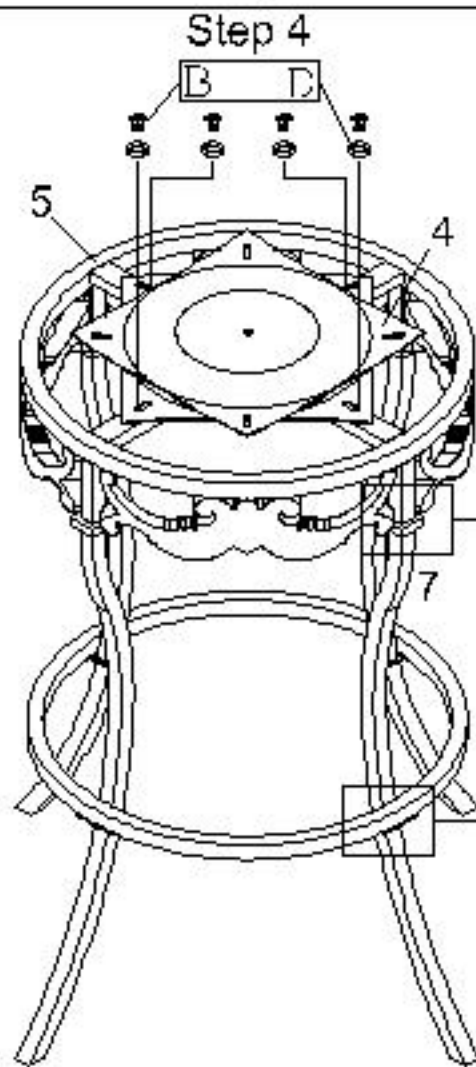
- ★ Please follow all directions thoroughly.
- ★ Do not leave out any steps.
- ★ Review the parts list carefully, if parts are incorrect or missing, please contact parts@ashleyblairecompany.com.
- ★ Please ensure that all connections and fasteners are correctly installed and maintained.
- ★ Please tighten all connections periodically.
- ★ For future reference, do not discard instructions.

Ashley Blaire Company Inc. assumes absolutely no responsibility or liability for damages, injuries, or loss due to the misuse of the product, failure to properly assemble the product, or properly maintain and service the product.

Please Verify The Contents Of The Hardware Pack

NO	QTY	DRAWING	DESCRIPTION
A	2	 Pan Head	1/4"x 1" Allen Bolt
B	24		1/4"x 1/2" Allen Bolt
C	8	 Pan Head	1/4"x 1/2" Allen Bolt

NO	QTY	DRAWING	DESCRIPTION
D	24		1/4" Washer
E	1		4mm Allen Wrench



7A or 7B
Figure 2

Step 1. Insert four Extension Legs (7A or 7B) into the legs 7 as shown (If you want a counter stool use 7A, for bar stool use 7B). Attach the extension legs by inserting (8) allen bolts B, (8) washers D into each hole as shown. See Figure 1.

Step 2. Attach the stretcher 6 to the legs 7 by inserting (8) "pan head" allen bolts C as shown. See Figure 2. Bolts should be hand tightened at this time.

Step 3. Insert leg assembly into the seat base 5 as shown. Attach the legs 7 by inserting (8) allen bolts B, (8) washers D into each hole as shown. See Figure 3.

Step 4. Attach the swivel 4 by inserting (4) allen bolts B, (4) washers D into each hole.

Step 5. Please tighten all bolts from the previous steps 1,2, 3, and 4.

Step 6. Insert the back Assembly 1 into the seat base assembly and fasten it by inserting (2) "pan head" allen bolts A into each hole. See Figure 4.

Step 7. Attach the completed bottom assembly to the top assembly by using (4) allen bolts B and (4) washers D through the swivel into the Seat Frame 3.

Step 8. Tighten all bolts using the Allen wrench E.

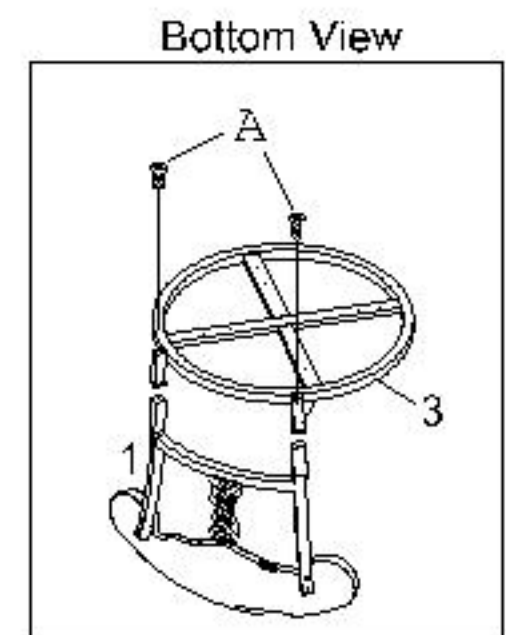
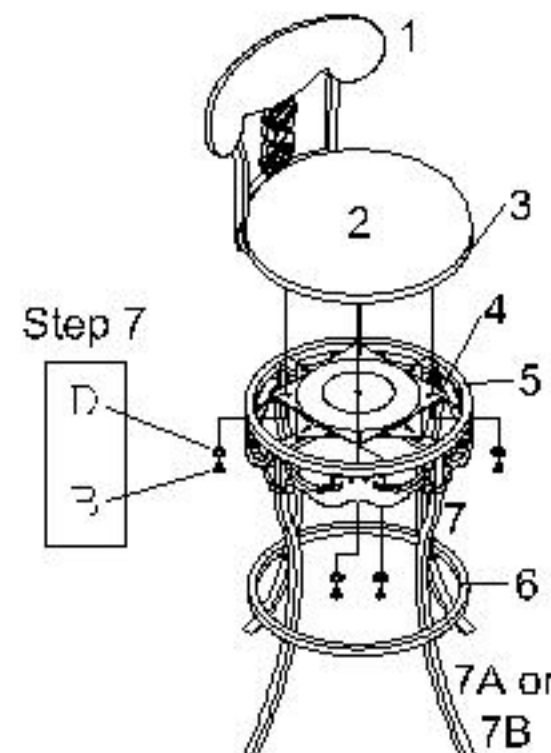


Figure 4