



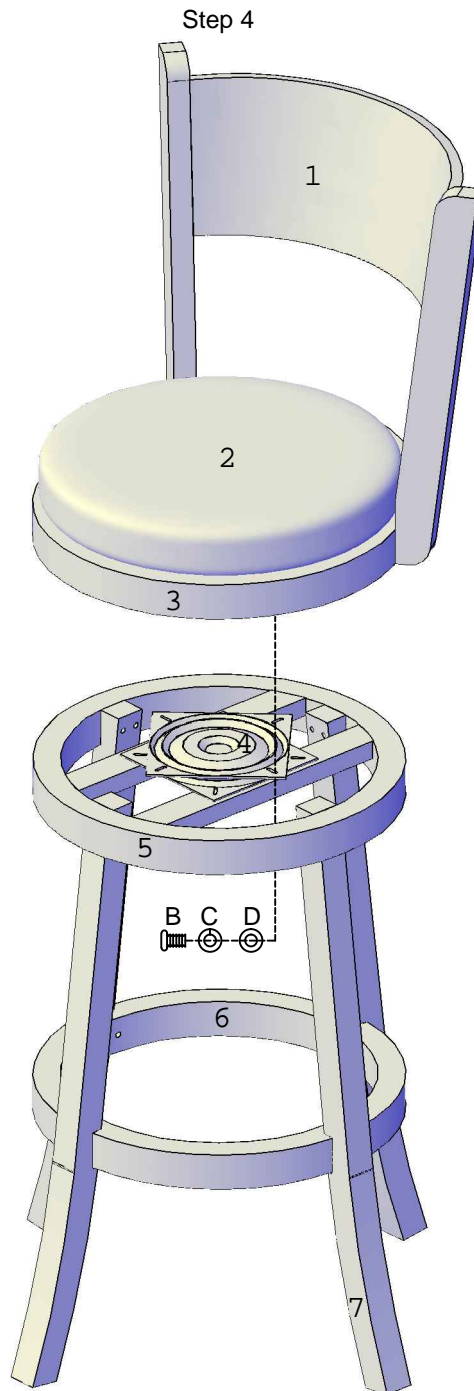
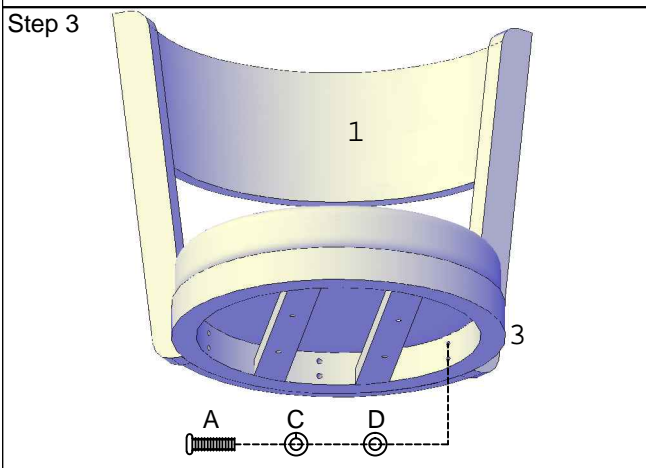
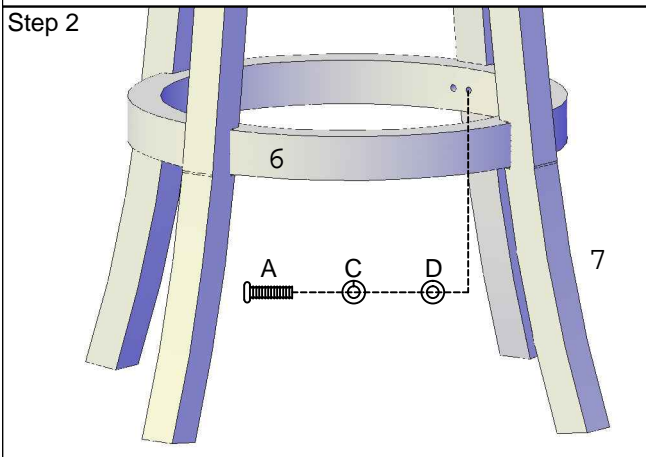
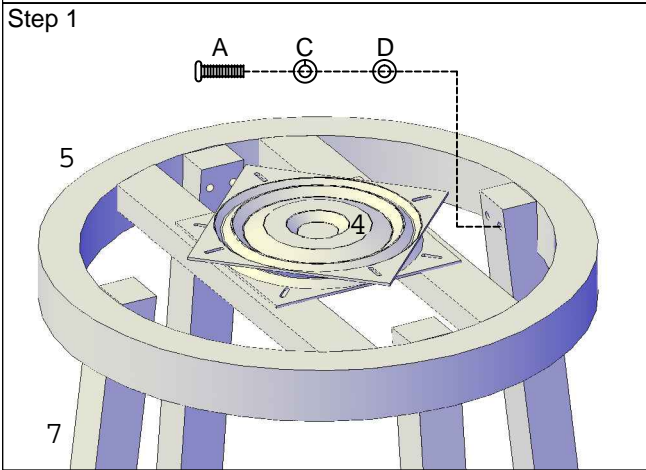
**ZANDER**  
**6405-BS/CS**  
**6407-BS/CS**  
**6408-BS/CS**

**Safety Information: Before beginning assembly, read all instructions carefully.**

- Please follow all directions thoroughly.
- Do not leave out any steps.
- Review the parts list carefully, if parts are incorrect or missing, please contact [parts@ashleyblairecompany.com](mailto:parts@ashleyblairecompany.com).
- Please ensure that all connections and fasteners are correctly installed and maintained.
- Please tighten all connections periodically.
- For future reference, do not discard instructions.

Ashley Blaire Company Inc. assumes absolutely no responsibility or liability for damages, injuries, or loss due to the misuse of this product, failure to properly assemble the product, or properly maintain and service the product.

**Important: Leave all bolts loose until instructed to tighten.**



Step 1: Attach (4) Legs [7] to the Seat Base [5] by inserting (8) Allen Bolts [A], (8) Lock Washers [C], and (8) Washers [D] into holes as shown. Leave these bolts loose at this time.

Step 2: Attach Foot Ring [6] to the Legs [7] by inserting (8) Allen Bolts [A], (8) Lock Washers [C], and (8) Washers [D] into holes as shown. Tighten these bolts and the bolts from Step 1 at this time.

Step 3: Attach Back Assembly [1] to the Seat Frame [3] by using (6) Allen Bolts [A], (6) Lock Washers [C], and (6) Washers [D] in holes as shown. Tighten these bolts at this time.

Step 4: Attach Seat Base [5] to Seat Frame [3] by inserting (4) Allen Bolts [B], (4) Lock Washers [C], and (4) Washers [D] through Swivel [4] to Seat Frame [3]. Tighten these bolts at this time.

Step 5: Tighten all bolts.