



Safety Information: Before beginning assembly, read all instructions carefully

- ★ Please follow all directions thoroughly.
- ★ Do not leave out any steps.
- ★ Review the parts list carefully, if parts are incorrect or missing, please contact parts@ashleyblairecompany.com.

- ★ Please ensure that all connections and fasteners are correctly installed and maintained.
- ★ Please tighten all connections periodically.
- ★ For future reference, do not discard instructions.

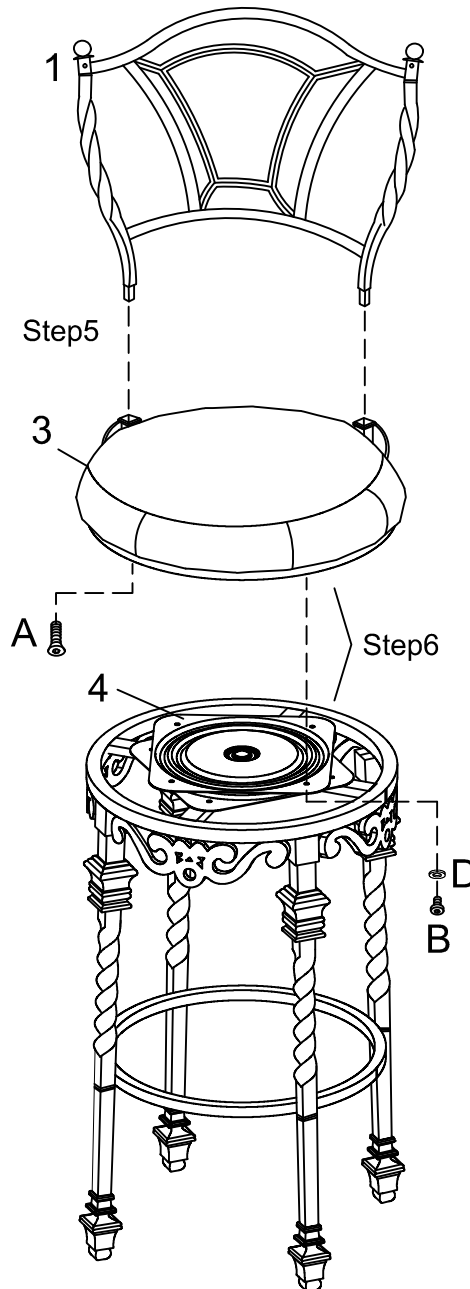
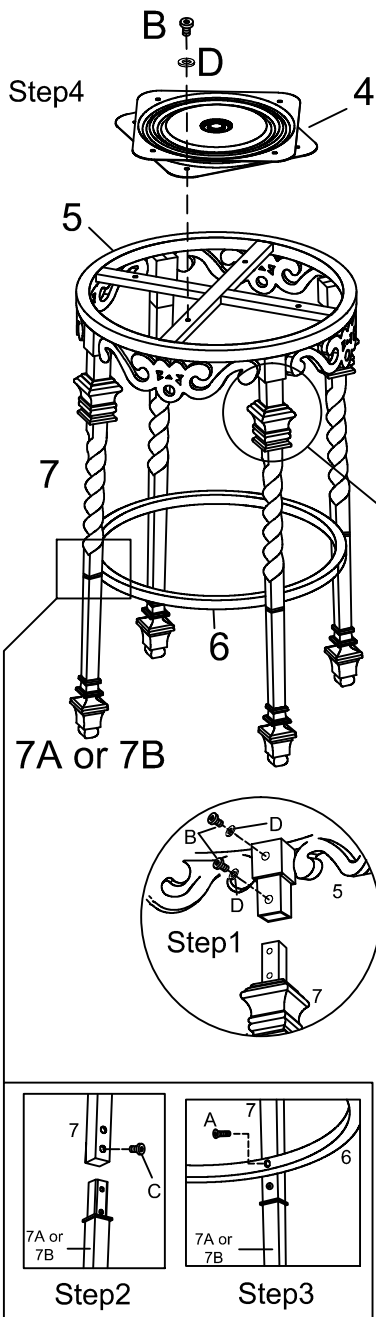
Ashley Blaire Company Inc. assumes absolutely no responsibility or liability for damages, injuries, or loss due to the misuse of the product, failure to properly assemble the product, or properly maintain and service the product.

Please Verify The Contents Of The Hardware Pack

NO	QTY	DRAWING	DESCRIPTION
A	6		1/4"x 1" Allen Bolt
B	16		1/4"x 1/2" Allen Bolt
C	4		5/16"x 5/8" Allen Bolt

NO	QTY	DRAWING	DESCRIPTION
D	16		1/4" Flat Washer
E	1		4mm Allen Wrench

Important: Leave all bolts loose until instructed to tighten.



- Step 1. Insert four legs 7 into the seat base 5 as shown. Attach the legs 7 by inserting (8) allen bolts B, (8) washers D into each hole as shown. Only hand tighten bolts at this time.
- Step 2. Insert four Extension Legs (7A or 7B) into the legs 7 as shown. For counter height use 7A. For barstool height use 7B. Attach the extension legs by inserting (4) allen bolts B through BOTTOM HOLE. Only hand tighten bolts for this step.
- Step 3. Attach Foot Ring 6 to Leg Assembly 7 by inserting (4) "pan head" allen head bolts A through Foot Ring 6. Tighten all bolts at this time.
- Step 4. Attach the swivel 4 to the Seat Base 5 by inserting (4) allen bolts B and (4) washers D into each hole. Tighten all bolts at this time.
- Step 5. Insert the back Assembly 1 into the seat base assembly 3 and fasten it by inserting (2) "pan head" allen bolts A into each hole. Tighten these bolts at this time.
- Step 6. Attach the completed bottom assembly to the top assembly by using (4) allen bolts B and (4) washers D through the swivel into the Seat Frame 3.
- Step 7. Tighten all bolts using the Allen wrench E and turn your stool over in it's upright position.